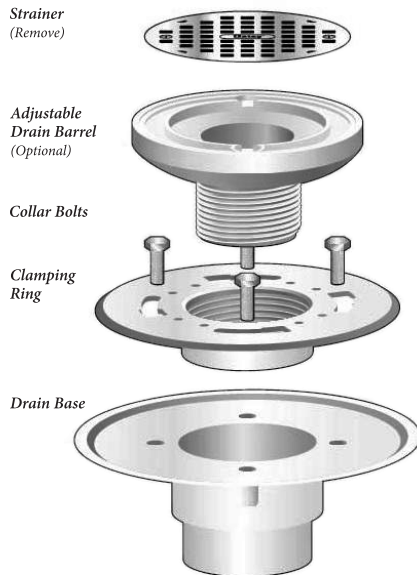




MODERN DESIGN LINEAR DRAINS

# LUXE Square Tile Drain Installation Overview

## Typical Shower Drain



An exploded view of a typical shower flanged drain assembly is shown on the left for your reference. This assembly can be made from PVC, cast iron or other composite materials.

**STEP 1:** Pre-slope shower pan and install waterproofing per manufacturer's instructions; any waterproofing material or procedure can be utilized (i.e. vinyl, CPE membrane, roll/paint on, metal pan, hot mop, surface sheet membrane, etc.). Perform leak test as required.

**STEP 2:** Position over drain assembly (with or without adjustable drain barrel) and set the LUXE Square Tile Drain as you would any tile. Build up and support to the desired height with mortar.

**STEP 3:** Build mortar bed and install tile to create a 1-2% grade towards drain.

**STEP 4:** Install tile into tile insert tray. Insert tile tray into drain body.

**STEP 5:** Finish by sealing the drain perimeter with a high quality flexible sealant.

### LUXE INSTALLATION ADVANTAGES AND BENEFITS:

- LUXE innovative products are constructed of 100% stainless steel—requiring zero maintenance—and are durable, recyclable and provide a lifetime of form and function.
- LUXE drains install independent of any waterproofing method, material or procedure.
- All LUXE Drains fit atop any standard clampdown floor drains of any construction - PVC, ABS, cast iron, etc.

\*\*\* Ensure compliance with all local codes and requirements \*\*\*

### Specifications

Drain Body	5" x 5"; Body depth of 0.87" (22mm), excluding outlet.
Material of Construction	18 gauge stainless steel, with 2.0" (50mm) diameter central outlet for insertion in 2" nominal flanged floor drains.
Tile Tray (Removable)	18 gauge stainless steel.
Tile Tray Face	4.25" by 4.25"
Depth	Suitable for tile up to 0.39" (10mm) thickness.



**LUXE Square Tile Drain** is a unique drain strainer replacement allowing your shower drain runoff to virtually disappear into your floor. Its stainless steel construction consists of a removable tile tray and a solid drain body with a central outlet for installation into your tile bed atop any standard clamping floor drain.

For more information,  
scan the QR code or visit  
[www.platinumstainlesssteel.com](http://www.platinumstainlesssteel.com)

